

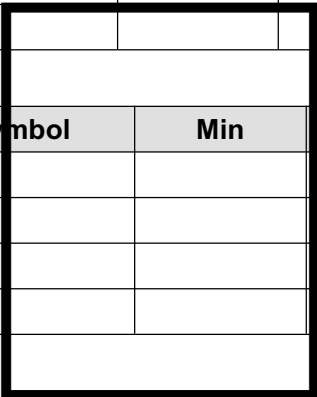
**Absolute Maximum Ratings**

Parameter	Symbol	Min	Max	Unit

**Operating Conditions**

Parameter	Symbol	Min	Typical	Max	Unit

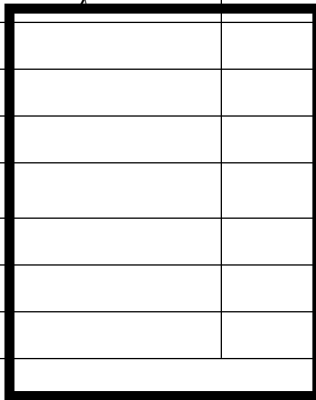
Notes:



**Transmitter Specifications – Optical**

Parameter	Symbol	Min	Typical	Max	Unit

Notes:



**Transmitter Specifications – Electrical**

Parameter	Symbol	Min	Typical	Max	Unit









F-tone Networks

烽火通信科技股份有限公司

集团旗下

---


Notes:

---

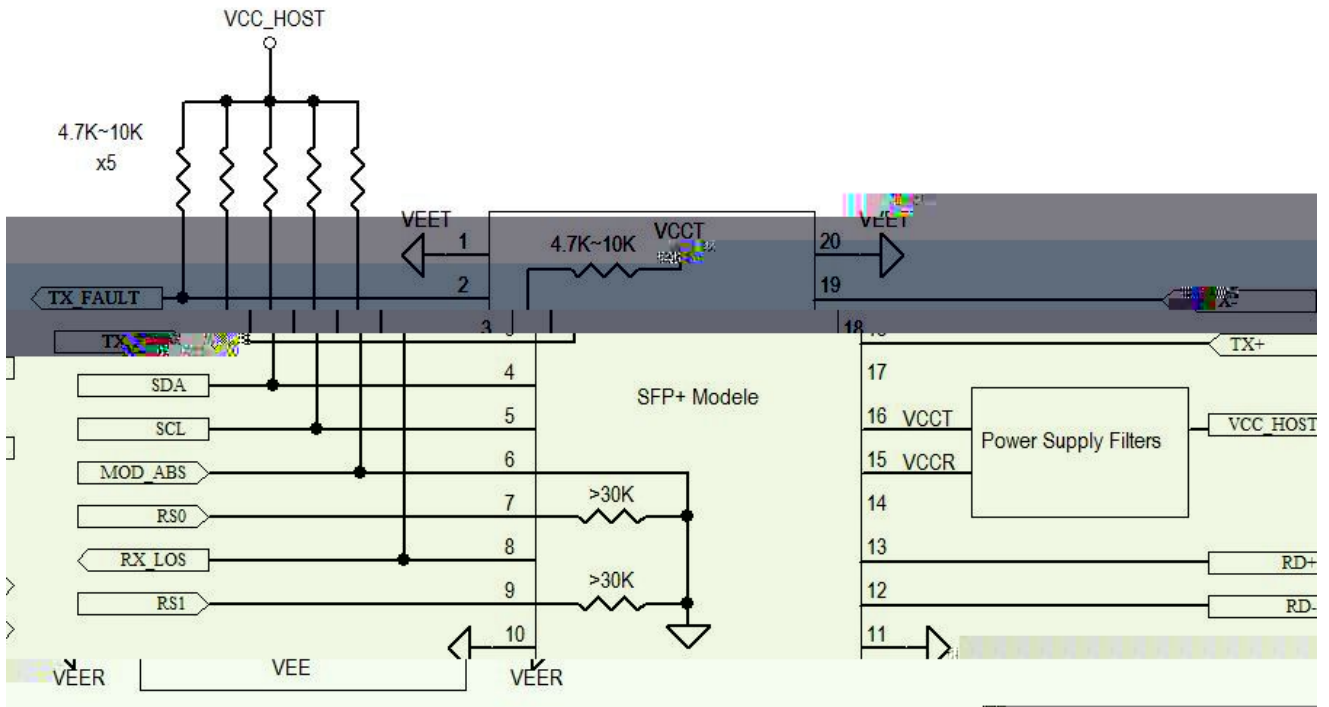


Figure3. Host-Module Interface

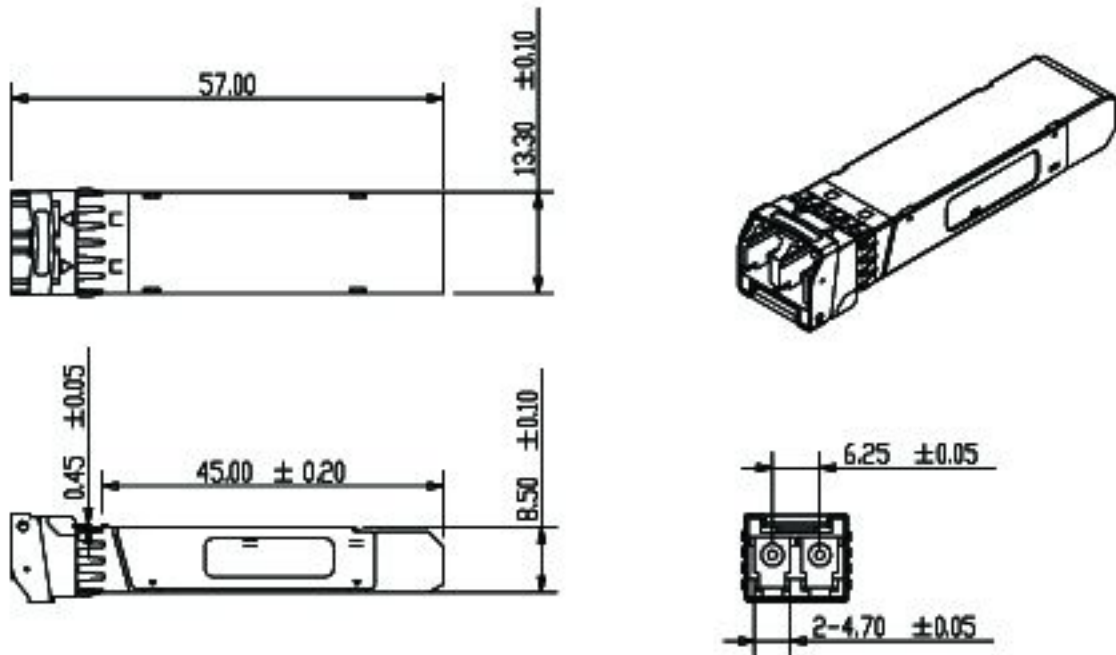


Figure6. Mechanical Specifications



F-tone Networks

北亿纤通科技有限公司

集团旗下

Regulatory Compliance